

ICV-2112RVT

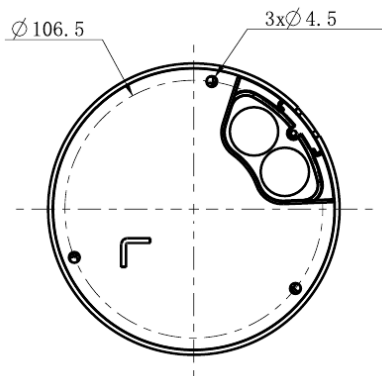
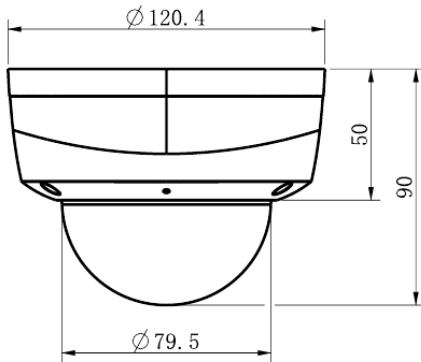
2MP H.265 IR Dome Camera



Features

- Full Metal Housing
- Up to 1920x1080@30fps
- S+265/H.265/H.264/M-JPEG
- Min. illumination Color: 0.02Lux@F2.0
- Smart IR, IR Range:20m
- Support video Analytics
- Plugin Free
- Interface Built-in Mic, Audio I/O 1/0, MicroSD Card Slot, up to 265GB
- POE, IP66, IK10
- Operating Conditions -35°C ~ 66°C, 0 ~ 95% RHG
- CE

Dimensions



Camera	
Image Sensor	1/2.7" CMOS
Signal System	PAL/NTSC
Min. Illumination	Color: 0.02Lux@ (F2.0, ACG ON), B/W: 0Lux with IR
Shutter Time	1s to 1/100,000s
Lens	2.8mm, Fixed, F2.0
FOV	Horizontal field of view: 105.4°
Lens Mount	M12
Day & Night	Dual IR Cut Filter with Auto Switch
Wide Dynamic Range	Digital WDR
Digital Noise Reduction	3D DNR
Angle Adjustment	pan 0~330°, tilt 0~75°, rotate 0~350°
Compression Standard	
Video Compression	S+265/H.265/H.264/M-JPEG
Video Bit Rate	32Kbps ~ 8Mbps
Audio Compression	G.711/G.711U/ADPCM
Audio Bit Rate	8K ~ 48Kbps
Image	
Max. Image Resolution	1920x1080
Main Stream	PAL: 25fps (1920x1080, 1280x960, 1280x720, 704x576, 640x480) NTSC: 30fps (1920x1080, 1280x960, 1280x720, 704x480, 640x480)
Sub Stream	PAL: 25fps (704x576, 704x288, 640x360, 352x288) NTSC: 30fps (704x480, 704x240, 640x360, 352x240)
Image Settings	Saturation, brightness, contrast, sharpness, adjustable by client software or web browser
HLC	Y
Smart Defog	Y
ROI	Support 4 fixed region of coding
Privacy Mask	Y
Picture Overlay	Y
OSD	16x16, 32x32, 24x24, 48x48, 64x64 Size Letters Such as Week, Date, Time, Total 5 Regions
Network	
Network Storage	FTP
NTP	Y
ANR	Y
Video Analytics	Tripwire, Double Tripwire, Perimeter, Object Abandon, Object Lost, Loitering, Running, Parking, Video Abnormal, Face Detection, Demographics
EW	N/A
Alarm Trigger	Motion Detection, Mask Alarm, IP Address Conflict, MAC Address Conflict,
Protocols	TCP/IP, ICMP, HTTP, HTTPS, DHCP, DNS, DDNS, MULTICAST, UPnP, FTP, IPV4, NTP, RTSP, SMTP, IGMP, QoS
Remote Connection	≤7
System Compatibility	ONVIF (PROFILE S), SDK, CGI, P2P
Interface	
Audio Input	1-ch, Mic in
Audio Output	N/A
Communication Interface	1-ch RJ45 10M / 100M Ethernet Interface
Alarm Input	N/A
Alarm Output	N/A
On-board Storage	MicroSD Card Slot, up to 128GB
General	
Language	11 languages English, Russian, Spanish, Korean, Italian, Turkish, Simple Chinese, Traditional Chinese, Thai, French, Polish
Operating Conditions	-35°C ~ 65°C, 0 ~ 95% RH
Power Supply	DC12V ±20%/ PoE
Power Consumption	MAX: 5W(12V) MAX: 6W(POE)
IR Light	8
IR Distance	20m
Impact Protection	IP66, IK10
Dimensions	Φ120x90 mm (Φ4.72x3.54 inch)
Weight	0.45Kg



Intellivix Co., Ltd

(6F Prince Hyoryung Building)4, Hyoryung-ro 34-gil, Seocho-gu, Seoul 06704, Korea
Tel : +82-2-581-3883 Email : overseas@intellivix.com