

ICB-2333ORSPVT

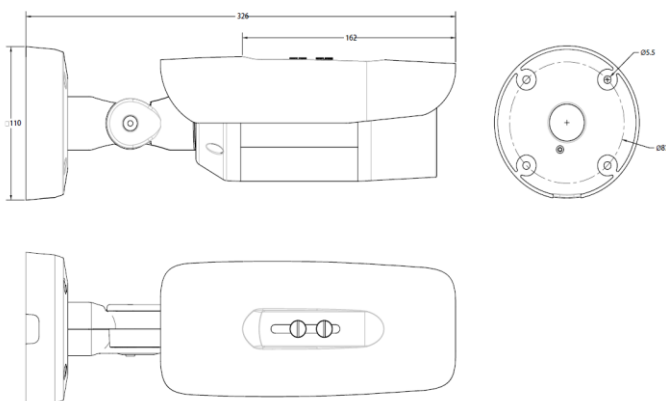
2MP Starlight Motorized IR Bullet Camera



Features

- Up To 1080P, 1920x1080@30fps
- S+265 compression
- Motorized 2.8 - 12mm
- Mechanical WDR 120dB
- Smart IR, IR Range: 50m
- Support Video Analytics
- Interface Audio I/O: 1/1, Alarm I/O: 2/1, Micro SD card slot up to 256GB
- POE, IP67
- Operating Conditions -35°C ~ 65°C (IR OFF), 0 ~ 95% RHG
- CE

Dimensions



Camera	
Image Sensor	1/2.8" CMOS
Signal System	PAL/NTSC
Min. Illumination	Color: 0.001Lux@ (F1.4, ACG ON) B/W: 0 Lux, 0 Lux with IR
Shutter Time	1s to 1/100,000s
Lens	Motorized 2.8 - 12mm F1.4-F2.8
Lens Mount	Ø14
Day & Night	Dual IR Cut Filter with Auto Switch
Wide Dynamic Range	120 dB
Digital Noise Reduction	3D DNR
Angle Adjustment	Bracket, pan 0~360°, tilt 0~75°, rotate 0~360°
FOV	Horizontal field of view : 83°~33.7°
Compression Standard	
Video Compression	S+265/H.265/H.264/M-JPEG
Video Bit Rate	32Kbps~6Mbps
Audio Compression	G.711/G.711U/ADPCM
Audio Bit Rate	8K~48Kbps
Image	
Max. Image Resolution	1920x1080
Main Stream	PAL: 25fps (1920x1080, 1280x960, 1280x720, 704x576, 640x480) NTSC: 30fps (1920x1080, 1280x960, 1280x720, 704x480, 640x480)
Substream	PAL: 25fps (704x576, 704x288, 640x360, 352x288) NTSC: 30fps (704x480, 704x240, 640x360, 352x240)
Image Settings	Saturation, brightness, contrast, sharpness, adjustable by client software or web browser
Smart Defog	Y
ROI	N/A
Privacy Mask	Y
Picture Overlay	Y
OSD	16x16, 32x32, 48x48, 64x64, adaptable size, Letters Such as Week, Date, Time, Total 1 Regions
Network	
Network Storage	FTP
NTP	Y
ANR	Y
Video Analytics	Tripwire, Double Tripwire, Perimeter, Object Abandon, Object Lost, Loitering, Running, Parking, Video Abnormal, Audio Abnormal
Alarm Trigger	Event Input, Event Output, Motion Detection, Mask Alarm, IP Address Conflict, MAC Address Conflict
Protocols	TCP/IP, ICMP, HTTP, HTTPS, DHCP, DNS, DDNS, MULTICAST, UPnP, FTP, IPV4, NTP, RTSP, SMTP, IGMP, 802.1x, QoS, Multicast
Remote Connection	≤7
System Compatibility	ONVIF (PROFILE S), SDK, CGI, P2P
Interface	
Audio Input	1-ch
Audio Output	1-ch
Communication Interface	1-ch RJ45 10M / 100M Ethernet Interface
Alarm Input	2-ch
Alarm Output	1-ch
Video Output	N/A
On-board Storage	MicroSD Card Slot, up to 256 GB
Extension	Reset
General	
Language	15 languages English, Russian, Spanish, Korean, Italian, Turkish, Simple Chinese, Traditional Chinese, Thai, French, Polish, Dutch, Hebraism, Farsi, Arabic
Operating Conditions	-35°C ~ 65°C, 0 ~ 95% RH
Power Supply	DC12 V ± 20%, POE
Power Consumption	Max: 8.5W(12V) Max: 10W(POE)
IR Light	55 IR LEDs
IR Distance	50m
Impact Protection	IP67
Dimensions	338x Φ108 mm (13.31"Φ4.25 inch)
Weight	1.25Kg



Intellivix Co., Ltd

(6F Prince Hyoryung Building)4, Hyoryung-ro 34-gil, Seocho-gu, Seoul 06704, Korea
Tel : +82-2-581-3883 Email : overseas@intellivix.com